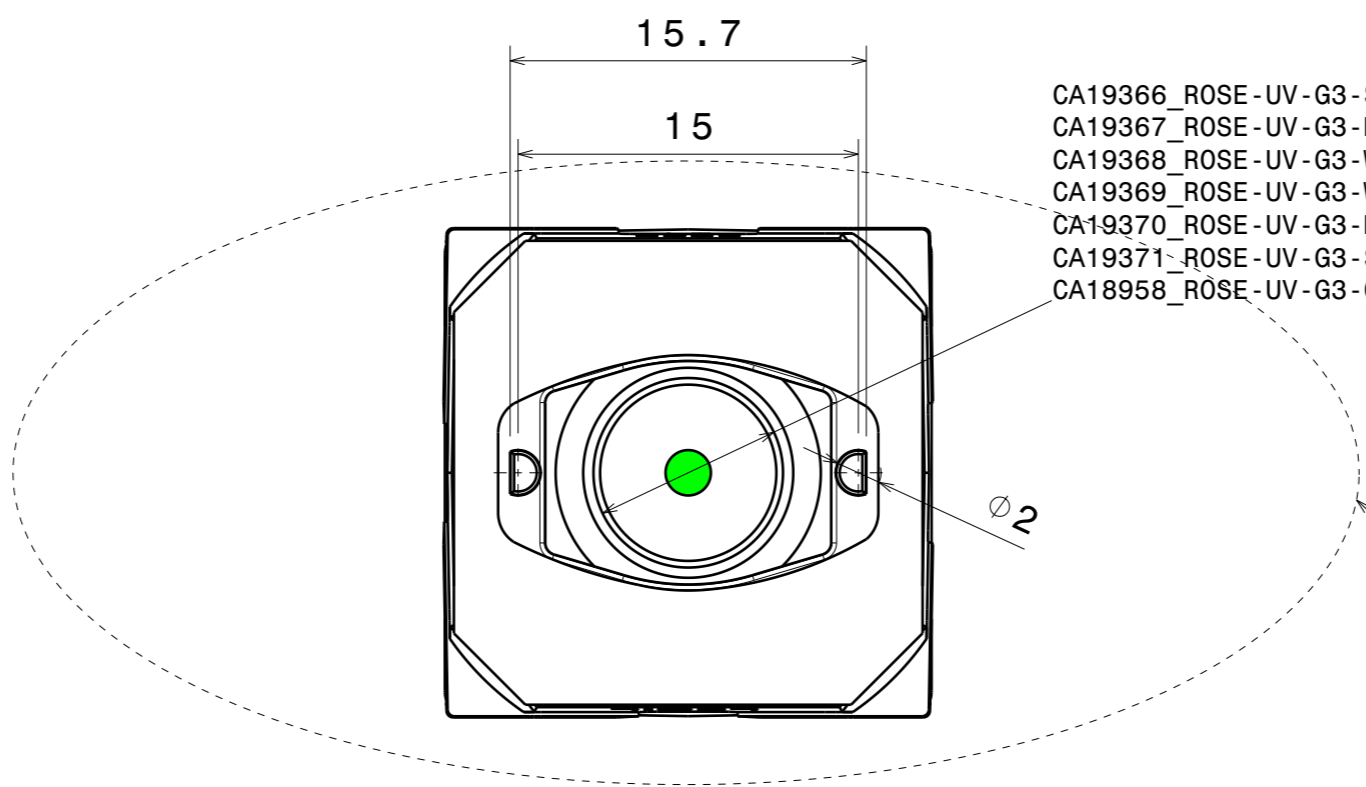
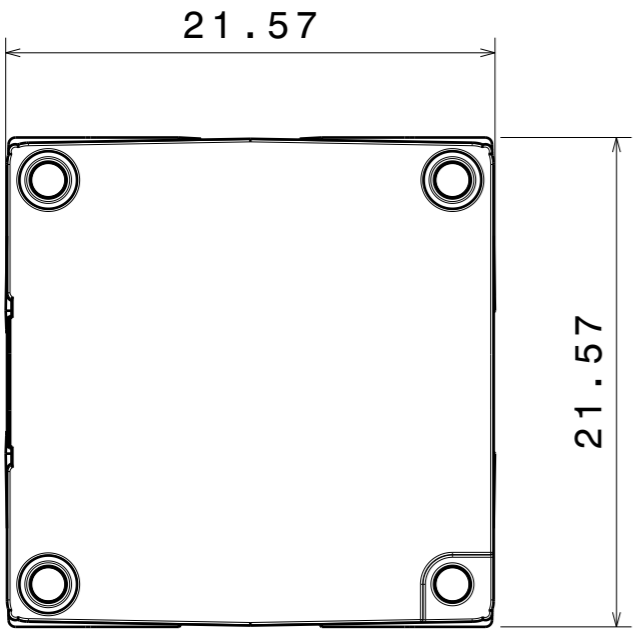


Front View

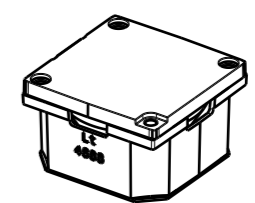


Bottom View



Top View

- CA19366_ROSE-UV-G3-S-PIN : Ø9.1
- CA19367_ROSE-UV-G3-M-PIN : Ø9.2
- CA19368_ROSE-UV-G3-W-PIN : Ø10.6
- CA19369_ROSE-UV-G3-W2-PIN: Ø9.3
- CA19370_ROSE-UV-G3-M2-PIN: Ø9.7
- CA19371_ROSE-UV-G3-SS-PIN: Ø9.1
- CA18958_ROSE-UV-G3-O-PIN: Ø8.4



Isometric View
Scale 1:1

CA18958: Oval Direction

- CA19366_ROSE-UV-G3-S-PIN
- CA19367_ROSE-UV-G3-M-PIN
- CA19368_ROSE-UV-G3-W-PIN
- CA19369_ROSE-UV-G3-W2-PIN
- CA19370_ROSE-UV-G3-M2-PIN
- CA19371_ROSE-UV-G3-SS-PIN
- CA18958_ROSE-UV-G3-O-PIN

COMPONENTS

INDEX	PART	TYPE	COUNT	MATERIAL	COLOR / COATING
1	C19196_ROSE-UV-G3-S C19197_ROSE-UV-G3-M C19198_ROSE-UV-G3-W C19287_ROSE-UV-G3-W2 C19337_ROSE-UV-G3-M2 C19338_ROSE-UV-G3-SS C18932_ROSE-UV-G3-O	LENS	1	Silicone	Clear
2	C14688_G2-ROSE-LT-HLD	HOLDER	1	PC	Black
3	C15050_ROSE-TAPE	TAPE	1	Tape	

MECHANICAL DRAWING		LEDiL
PRODUCT ROSE		
Plastic moulding general tolerances according to DIN 16901-130 and applies if not otherwise shown in the drawing. Silicone moulding general tolerances according to ISO 3302-1 Class M3 and applies if not otherwise shown in the drawing.	FIRST ANGLE PROJECTION: 	This drawing is the property of LEDiL Oy. It may not be copied or otherwise distributed without prior written permission from LEDiL Oy.
SCALE 3:1	WEIGHT -	A3 SHEET 1/1

Notes

	PCB or heatsink level.
	LED location
	Ensure LED fitting from a product specific 3D model available from www.ledil.com
	For more details about installation please see LEDiL Installation Guide on www.ledil.com